

# 95-PLT-M

## PORTABLE LIGHT TOWER

PRELIMINARY  
VERSION

### STANDARD SPECIFICATIONS

#### Performance

Weight	47 Kg (103.6 lb)
Dimensions Closed	1.200 x 0.32 x 0.40 m
Dimensions Full Deployed	4.400 x 0.22 x 0.22 m
Max elevated mast	4.4 m
Wind speed rating resistance	35 m/s
Working temperature	-30 to + 50 C°
Operating voltage	100 to 240 VAC 50Hz/60Hz
Power connector	Schuko
IP Rating	IP65 (Power-plug:IP44)
Certification	CE/BIS

#### Flood lights

Lights	LED
LED Color temperature	6000 Kelvin
Luminous flux	20 - 95.000 Lumen
LED Panel	6 x 100 Watt
Power consumption	60 to 680 Watt (Dimmable)
Lightning Area	11.300 m <sup>2</sup>
Light Spread	180 - 360 degree
Light source lifetime	50.000 Hours

#### Mast

Mast Operation	Motor & Chain operated with Wind Sensor
Mast Sections	6 sections with anti-crush sensor
Lighthouse Tilt	30° TBC
Lighthouse Rotate	60° (+30°/-30°) TBC



### KEY SPECS

#### Mast

Motorized mast up to 4.4 m

#### Weight

47 Kg (103.6 lb)

#### Light

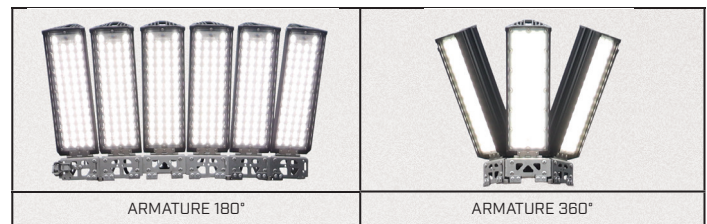
Dimmable LED up to 95.000 lumen

#### Lightning Area

11.300 m<sup>2</sup>

### KEY FEATURES

- Portable all in one light tower.
- Low Energy cost due highly efficient LED Lamps.
- Safe and quick one-man operation.
- Limited deployment space.
- Robust but lightweight design with low maintenance cost.
- Water and Dust prove to handle the most demanding environments.
- In and Outdoor usage.
- Easy handling due to compact size and transport wheels.



### STANDARD FEATURES

- Chain driven motorized telescopic mast; maintenance free.
- High strength Aluminum chassis and Fiber-reinforce plastic parts.
- Ceramic coated chassis parts and high-quality stainless-steel subcomponent.
- IP65 COB Led Technology with high quality optical lenses.
- Enclosure mounted led drivers with Dimmable feature.
- Tiltable and Rotatable Light Armature.
- Adjustable Light Pattern from 360-degree to 180-degree width screen.
- Adjustable legs with 'snow feet' for leveling unit of uneven terrain.
- Red LED leg marking lights.
- Wi-Fi controllable with advanced options through app.
- Vibration/Windspeed sensor for automatic lowering.
- Sensing System for safe lowering.
- Coiled mast cord.

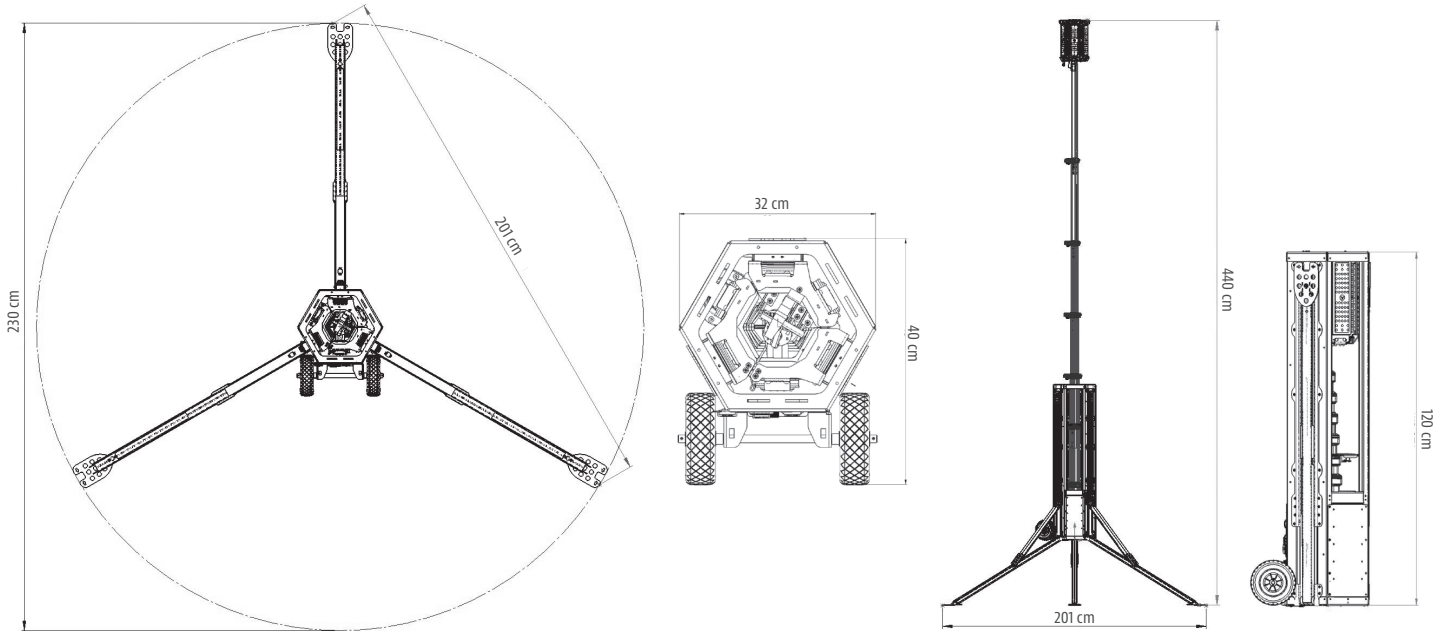
# 95-PLT-M

## PORTABLE LIGHT TOWER

PRELIMINARY  
VERSION

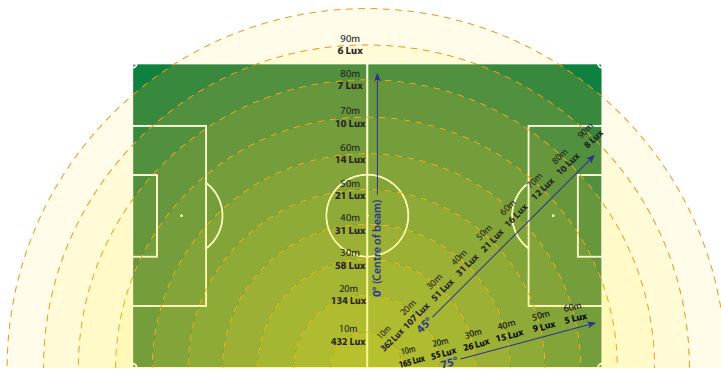


### DIMENSIONS

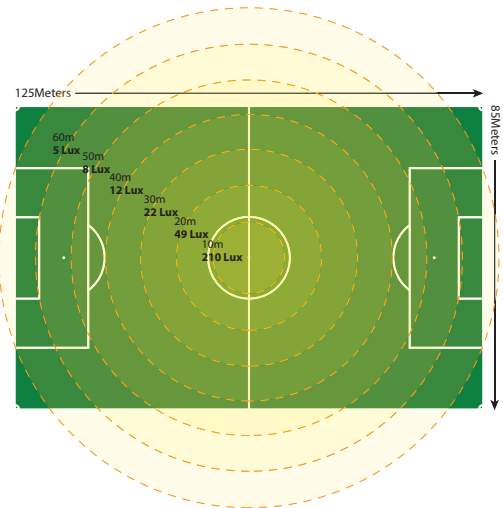


### LIGHT DISTRIBUTION

A



B



- A. Max output LUX-values MODE: 180° spread
- B. Max output LUX-values MODE: 360° spread

#### IMPORTANT

JLG is continually researching and developing products and reserves the right to make modifications without prior notice. All data in this document is indicative. Certain options or country standards will increase weight. Specifications may change to meet country standards or with the addition of optional equipment.

Due to continuous product improvements, JLG Industries reserves the right to make specification and/or equipment changes without prior notification.



**JLG EMEA BV**  
 Polaris Avenue 63  
 2132 JH Hoofddorp  
 The Netherlands  
 Tel.: +31 (0)23 565 5665  
[www.jlg.com](http://www.jlg.com)

An Oshkosh Corporation Company