

# ES2646

## ELECTRIC SCISSOR LIFT

SCISSOR LIFT

PRELIMINARY  
VERSION



### KEY SPECS

#### Platform Height

Indoor: 7.92 m  
Outdoor: 7.92 m

#### Number of Occupants

Indoor:   
Outdoor:

#### Platform Capacity

545 kg

#### Stowed Drive Speed

4.8 km/h

### KEY FEATURES

- The 545 kg indoor and outdoor platform capacity beats the competition.
- Refreshed design delivers electric drive, for up to double the battery life of a standard scissor.
- Work in sensitive areas with optional CleanGuard leak containment system.
- Features a standard USB charger and phone holster, improving the operator experience while delivering a high degree of commonality with other JLG® scissors to simplify service.

### ACCESSORIES & OPTIONS

- Fold Down Handrails
- Analyzer Port for Diagnostics
- Drive Motor Covers
- Platform work-lights
- Clean Guard
- SkySense Level 1
- SkySense Level 2
- All motion alarm
- Descent alarm
- Platform padding
- Panel Carrier
- Outboard pipe racks
- White Noise Alarm
- Electricians' Package \*\*
- Plumbers' package \*\*\*
- Amber beacon light (dual)
- Plugs & Sockets
- ClearSky Locate
- ClearSky CAN
- Operator access control
- JLG® Mobile Control
- Panel carrier
- Anti vandalism package
- MDI (Ground)

\*\* Includes workstation without 12 V outlet, pipe racks, vice and electricians tree.  
\*\*\* Includes workstation with 12 V outlet, pipe racks and vice.

### STANDARD SPECIFICATIONS

#### Performance

Working Height (Indoor/ Outdoor)	9.92 m
Platform Height - Elevated (Indoor/ Outdoor)	7.92 m
Platform Capacity - Indoor	545 kg
Platform Capacity - Outdoor	545 kg
Capacity on Optional Deck Extension	120 kg
Lift/Lower Time (No Load)	49/44 seconds
Lift/Lower Time (Rated Load)	62/37 seconds
Maximum Drive Height	Fully Elevated
Machine weight *	2,401 kg
Maximum Ground Bearing Pressure	9.6 kg/cm <sup>2</sup>
Drive Speed - Lowered	4.8 km/h
Drive Speed - Elevated	0.8 km/h
Gradeability	25%
Turning Radius - Inside	Zero
Turning Radius - Outside	2.2 m
Max Tilt Rating (Side-to-Side)	2.5 °
Max Tilt Rating (Fore and Aft)	3.5 °

\* Certain options or country standards may increase weight and/or dimensions.

#### Power

Batteries	4 x 6V 220 A/hr
Charger (120/240V – 50/60HZ)	27 Amp
Drive Motors	24V DC

#### Tires

Non-Marking Solid	406 x 127 mm
-------------------	--------------

#### Brakes

Multi- Disc Friction

#### Hydraulic System

Capacity	6.4 L
Pump	Fixed Displacement Gear

### STANDARD FEATURES

- 0.90 m roll-out deck extension
- Swing-out gate
- Removable platform console box
- Lanyard attach points
- Full proportional drive joystick control with integral thumb steer switch
- Proportional lift/lower speed control
- Load sensing system
- USB Charger & Phone Holder
- Diamond Tread Steel Deck
- 4 x 6V 220 A/hr Deep Cycle Batteries
- Programmable "Personality" settings
- On-board self-diagnostic testing
- Swing-out battery/electrical compartment doors
- Battery Charger (DELTA-Q, 650W, CAN)
- Dual motor direct electric front wheel drive & steer
- Dual wheel automatic brakes
- Emergency brake release
- Pothole protection system
- Active Pothole protection system
- AC cable to platform
- Battery condition indicator
- Hour meter
- Lubrication free scissor arm bushings
- Manual descent
- Horn
- Removable Ladder
- Automatic traction control (ATC)
- Greaseless Kingpin Joints
- Variable tilt sensing
- Slope alarm and light
- Fork lift pockets

# ES2646

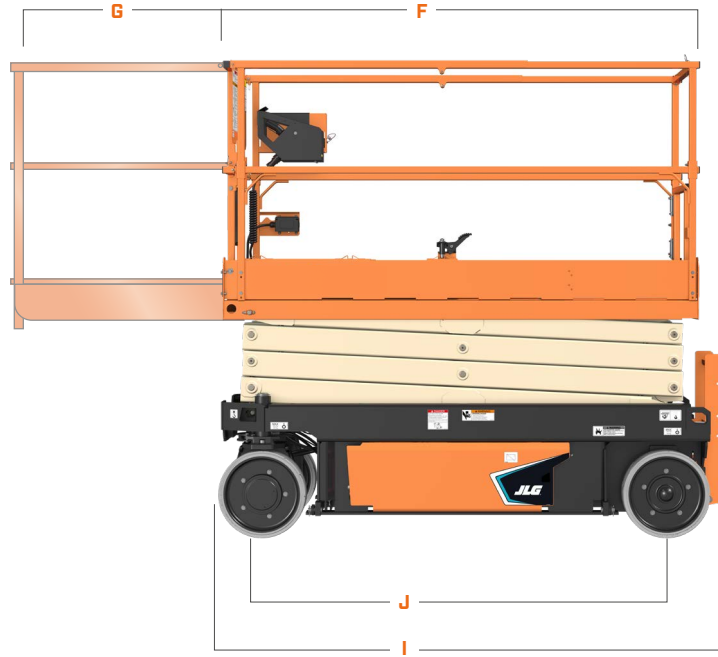
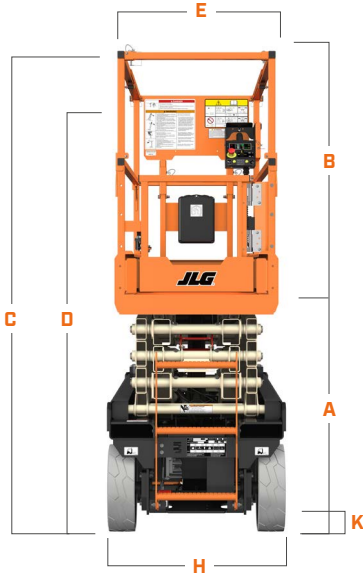
ELECTRIC SCISSOR LIFT

SCISSOR LIFT



## DIMENSIONS

All dimensions are approximate



<b>A.</b> Platform Height (Lowered)	1.14 m
<b>B.</b> Platform Railing Height	1.13 m
<b>C.</b> Machine Height (Rails Raised)	2.28 m
<b>D.</b> Stowed Height (Rails Folded)	1.82 m
<b>E.</b> Platform Width	1.1 m
<b>F.</b> Platform Length	2.1 m
<b>G.</b> Deck Extension	0.91 m

<b>H.</b> Overall Width	1.17 m
<b>I.</b> Overall Length	2.4 m
<b>J.</b> Wheelbase	1.88 m
<b>K.</b> Ground Clearance	0.10 m

### IMPORTANT

JLG is continually researching and developing products and reserves the right to make modifications without prior notice. All data in this document is indicative. Certain options or country standards will increase weight. Specifications may change to meet country standards or with the addition of optional equipment.

Due to continuous product improvements, JLG Industries reserves the right to make specification and/or equipment changes without prior notification.



**JLG EMEA BV**  
Polaris Avenue 63  
2132 JH Hoofddorp  
The Netherlands  
Tel.: +31 (0)23 565 5665  
[www.jlg.com](http://www.jlg.com)

**An Oshkosh Corporation Company**