

X22SJP

COMPACT CRAWLERS



STANDARD SPECIFICATIONS

Performance

Working Height	22 m
Platform Height	20 m
Horizontal Outreach (Std Platform)	11,9 m (230 kg)
Horizontal Working Outreach (Std Platform) **	12,55 m (230 kg)
Swing (non continuous)	360°
Platform Capacity (Restricted)	👤👤 230 kg
Basket rotation	124° (+/- 62°)
Jib - Overall Length	1,43 m
Jib - Range of articulation	89° (+0° / -89°)
Platform size (standard 2 persons)	0.69 m x 1.34 m
Airline to platform	6,3 mm
Machine weight (diesel) *	3350 kg
Machine weight (lithium) *	3300 kg
Machine weight (bi-energy) *	3350 kg
Gradeability	16°
Maximum operating slope	15°
Max. Approach / Depart angles	Front 20° / Rear 19°
Width of Undercarriage (Retracted/Extended)	0.88 m/ 1.30 m

* Certain options or country standards may increase weight and/or dimensions.
 ** Incl. 0.65 m outreach beyond platform

KEY SPECS

Platform height 20 m	Width without platform 88 cm
Horizontal Outreach 11.9 m	Platform Capacity 230 kg

KEY FEATURES

- Scissor effect thanks to the "follow the wall" technology
- "Go Home" function - press one button to stow the boom
- "Back to work" function - press one button to go back to recorded work position
- Skyline technology

ACCESSORIES & OPTIONS

- Two men platform (230 kg max. load capacity) two side entry
- Narrow platform 0.6 m x 0.77 m - 1 person
- 0.65 m x 1.31 m Aluminium 2 person dual side entry
- Kubota Z602 10.8 KWh (14.5 HP) Diesel Engine Liquid Cooled
- Bi Energy Lithium + Diesel Kubota
- 110V, 50 Hz - 2.2 KWh Electric Engine
- Onboard battery Charger 80-240V (+/- 30 V) 50-60 Hz
- 120 Ah 51,2V Lithium ion battery pack
- 1.70 m x 0.23 m x 0.41 m Low Profile Black Rubber Tracks
- Special paint

Power

AC electric motor	2.2 KWh 50Hz 220V 1500rpm
Engine	Kubota Z602 10.8 KWh (14.5 HP) Diesel Engine Liquid Cooled

Tires

Track size - Low profile non marking tracks	1.7 m x 0.23 m x 0.41 m
---	-------------------------

Hydraulic System

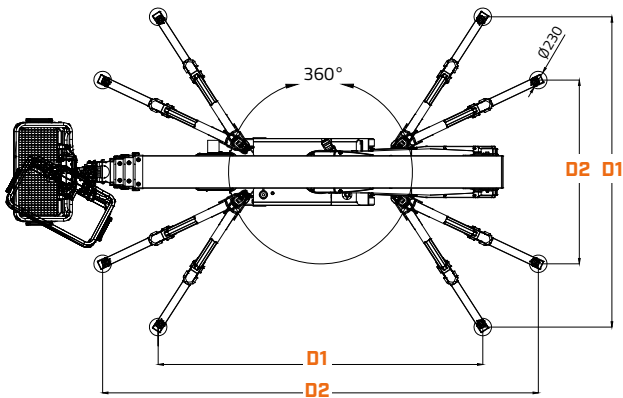
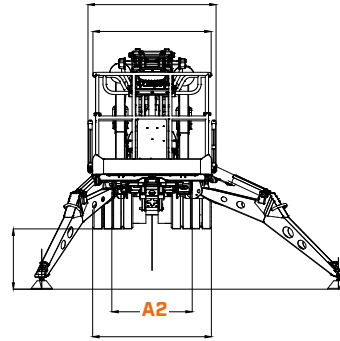
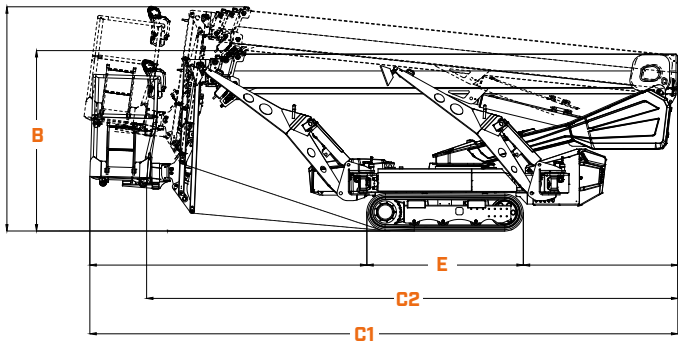
Hydraulic oil tank capacity	40 L
-----------------------------	------

STANDARD FEATURES

- Two men platform (230 kg max. load capacity) central entry
- 0.65 m x 1.31 m Aluminium rear slide bar entry platform
- Footswitch
- Full proportional controls (Electric proportional control system)
- Articulating jib
- Powered platform rotator (124°)
- Remote Control (via cable to platform)
- Removable platform control box
- Multi-lingual LCD display on platform box
- Load sensing system
- Platform designed for ease of removal/changeover
- AC Cable to platform
- 1/4" (6,3 mm) air line to platform
- 12,36 mm Waterline to platform
- Beacon
- Skyguard Skyline active system
- Go home function
- Back to work function
- Forklift pockets
- Extra pads onboard box
- LED integrated lights package
- Dual power operation
- Electric engine 2,2 KWh-220V- 50Hz- 1500rpm
- Undercarriage hydraulic widening system
- 2nd drive speed
- One button for automatic stabilization
- Automatic Stabilization with Variable Outrigger Footprint
- Non Marking Outrigger Pads
- Cylinder Rod Protection on Outriggers
- Automatic cut-out when out of level
- Turntable alignment sensor and gauge
- Emergency descent systems
- Lubrication free bushes
- Lifting/Tie down rings
- Lanyard anchor points
- 1.70 m x 0.23 m x 0.41 m Low Profile Non Mark Tracks

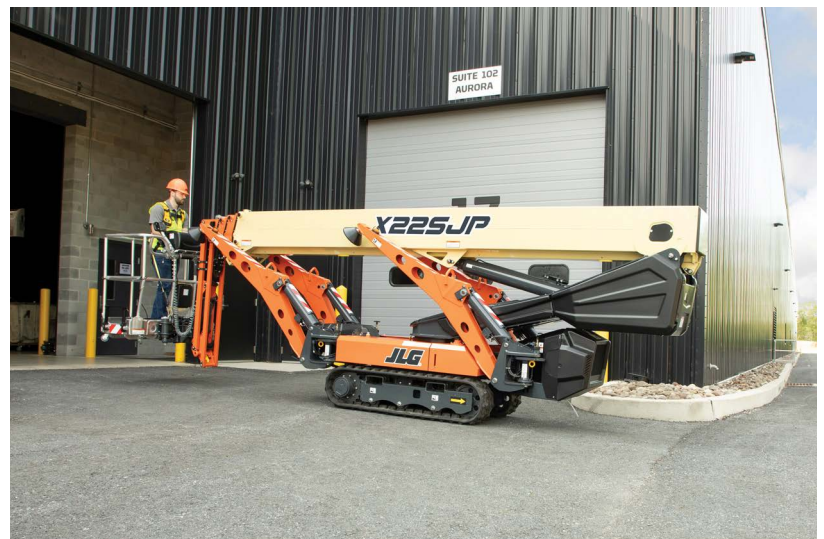
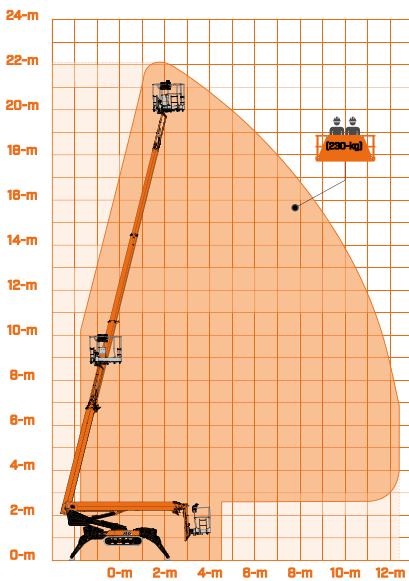
X22SJP

COMPACT CRAWLERS



A1.	Stowed width (with platform)	1.4 m
A2.	Stowed width (without platform)	0.88 m
B.	Stowed height (on tracks)	1.98 m
C1.	Stowed length (on tracks) with Platform	6440 m
C2.	Stowed length (on tracks) without Platform	5820 m
D1.	Outrigger footprint - Maximum - center of plates	4.08 m x 4.27 m
D2.	Outrigger footprint - Reduced - center of plates	2.42 m x 5.73 m
E.	Track Length	1.73 m

REACH DIAGRAM



IMPORTANT

JLG is continually researching and developing products and reserves the right to make modifications without prior notice. All data in this document is indicative. Certain options or country standards will increase weight. Specifications may change to meet country standards or with the addition of optional equipment.

Due to continuous product improvements, JLG Industries reserves the right to make specification and/or equipment changes without prior notification.



JLG EMEA BV
 Polaris Avenue 63
 2132 JH Hoofddorp
 The Netherlands
 Tel.: +31 (0)23 565 5665
www.jlg.com

An Oshkosh Corporation Company